

NZ.9047

HIGHLIGHTS

- Adjustable tilt, swivel, and rotate functions for optimal positioning
- Durable construction ensures long-lasting performance
- Simple and quick installation process
- Designed for NexiusZoom and StereoBlue microscopes
- Guiding system for ring light/camera cables



● NZ.9047

TECHNICAL SPECIFICATIONS

ADJUSTABILITY

Tilt range	±90°
Swivel range	180°
Rotation range	360°
Height range	max. 62 cm

COMPATIBILITY

Head Holder compatible with NexiusZoom microscope heads (and other 76 mm heads, such as StereoBlue)

MAXIMUM HEIGHT	500 mm
ARM LENGTH	400 mm

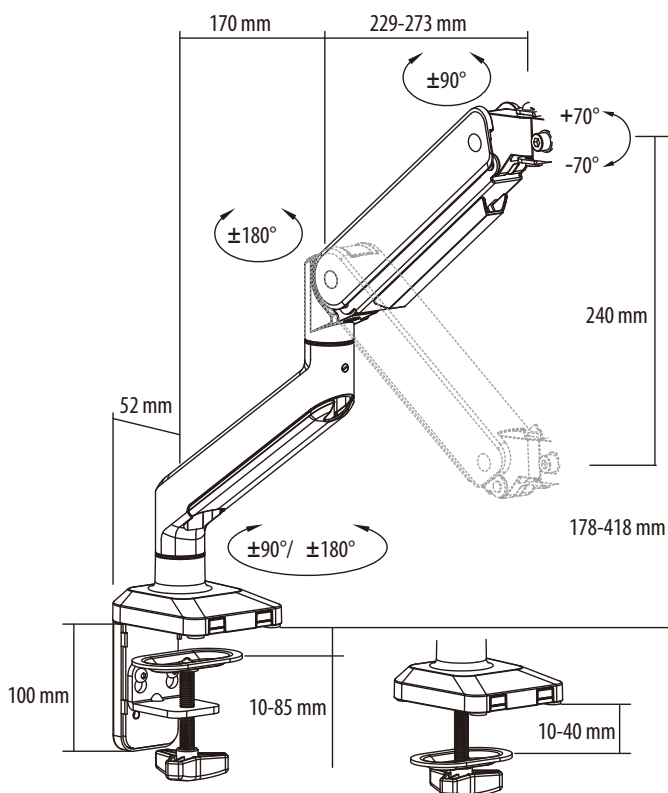
DIMENSIONS (STAND WITHOUT HEAD HOLDER)

Maximum height	500 mm
Arm length	400 mm



● NZ.9047 with NexiusZoom head and ring light

DIMENSIONS



DIMENSIONS (HEAD HOLDER)

Total height	100 mm
Width	145 mm
Depth	32 mm
Holder diameter	76 mm

MATERIALS

Construction	High-grade steel and aluminum
Finish	Powder-coated for durability

WEIGHT

Stand weight	4.5 kg
Head holder weight	1 kg

INSTALLATION

Mounting	Desktop clamp with adjustable width 10-85 mm, or drilled through the desk for permanent fixation
Assembly	Quick assembly. Manual and tool included



www.euromex.com